

INSTALLATION & MAINTENANCE MANUAL

RW5xx



230V
50Hz

IP
65



CE



118

GENERAL INSTRUCTIONS

These instructions should be read carefully and retained after installation by the end user for future reference and maintenance.

These instructions should be used to aid installation of the following products:

RW5WW / RW5CW

SAFETY

- This product must be installed in accordance with the latest edition of the IEE Wiring Regulations (BS7671) and current Building Regulations. If in any doubt, consult a qualified electrician
- Please isolate mains prior to installation or maintenance
- Check the total load on the circuit (including when this luminaire is fitted) does not exceed the rating of the circuit cable, fuse or circuit breaker
- Please note the IP (Ingress Protection) rating of this luminaire when deciding the location for installation
- If used under insulation, the insulation should be laid unbroken over the luminaire (not packed around it). Only mineral wool style insulation may be used
- This product is Class I and must be earthed
- This product series is IP65 rated

INSTALLATION

Note - If this luminaire is being used in conjunction with an external PIR or sensor, please confirm with the manufacturer of the sensors that they are compatible with LED luminaires

- Provide power to the required point of installation
- Cut a suitable hole in the mounting surface as per the cut-out details (see Fig. 1) ensuring not to infringe with any joists, gas / water pipes or electrical cables

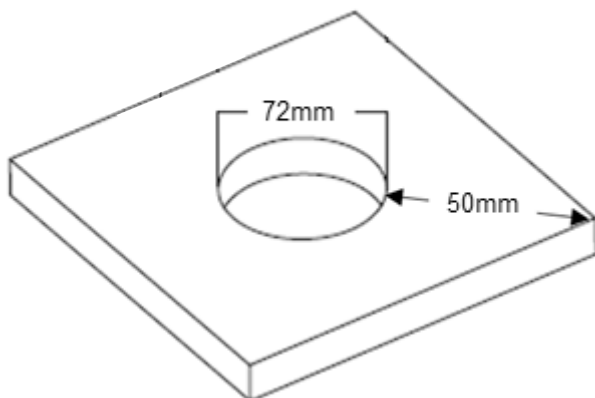


Fig. 1

- With the aid of a cross-head screwdriver, remove the cover to access the mains terminal block (see Fig. 2)

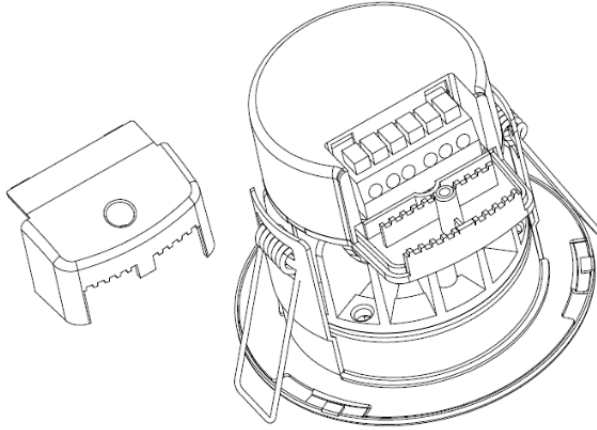


Fig. 2

- Connect the luminaire to the mains supply ensuring that correct polarity is observed: L - Live (brown), E - Earth (green/yellow), N - Neutral (blue) (see Fig. 3)

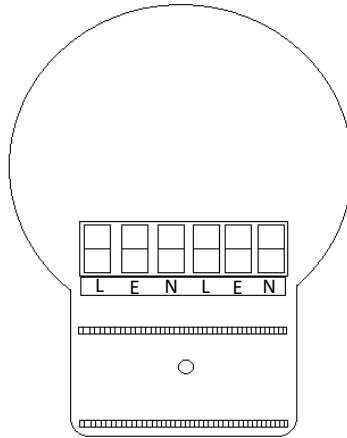


Fig. 3

- Secure the mains cable under the cable clamp and refit the terminal cover
- To remove the bezel, turn anti-clockwise
- To refit the bezel, turn clockwise
- Lift both spring clips on the sides of the fitting and push into the ceiling
- Switch on and check for correct operation

WARNING

This product must be disconnected from the circuit if subjected to any high voltage or insulation resistance testing. Irreparable damage will occur if this instruction is not followed

GENERAL

This product should be recycled in the correct manner when it reaches the end of its life. Check local authorities for where facilities exist

Clean with a soft dry cloth only, do not use aggressive cleaning products or solvents which may damage the product

This product is dimmable with most trailing edge dimmers

WARRANTY

This product has a warranty of 3 years from date of purchase. Failure to install this product in accordance with the current edition of the IEE Wiring Regulations, improper use, or removal of the batch code will invalidate the warranty. If this product should fail within its warranty period it should be returned to the place of purchase for a free of charge replacement. ML Accessories does not accept responsibility for any installation costs associated with the replacement product. Your statutory rights are not affected. ML Accessories reserve the right to alter product specification without prior notice